

# Anern

## Solar Street Light CATALOGUE



**Anern Industry Group Limited**

Web: [anern.com](http://anern.com)

Email: [g-ad@anern.com](mailto:g-ad@anern.com)

WhatsApp: +86 18211310218



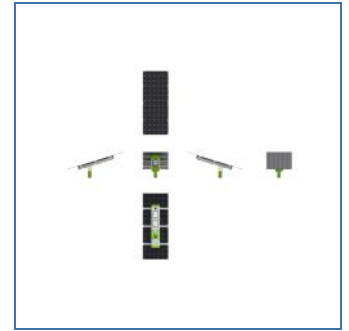
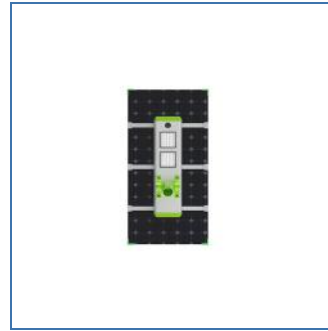
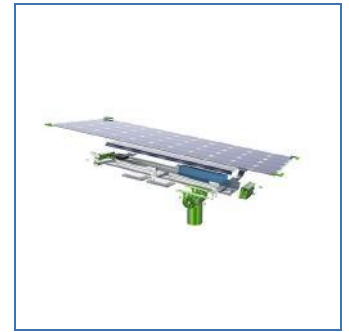
## AN-SLZ

Integrated Solar Street Light

Spec.	Power	Solar Panel	Li-ion battery	Size
AN-SLZ-40W	40W	65W	28AH	848*385*139mm
AN-SLZ-50W	50W	70W	36AH	1078*385*139mm
AN-SLZ-60W	60W	80W	42AH	1078*385*139mm
AN-SLZ-80W	80W	100W	57AH	1548*385*139mm
AN-SLZ-100W	100W	130W	63AH	1868*385*139mm
AN-SLZ-120W	120W	140W	72AH	1868*385*139mm



Web: [anerngroup.com](http://anerngroup.com) | Email: [group@anern.com](mailto:group@anern.com) | WhatsApp: +86 13570048098



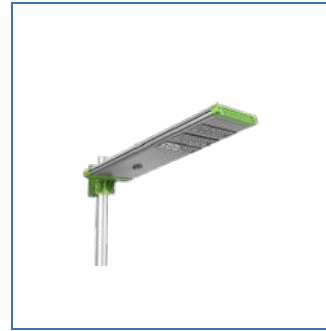
## AN-SL-X

### Double-Sided Solar Street Light

Spec.	Power	Solar Panel	Li-ion battery	Size
AN-SL-X-60W	60W	120W	42AH	970*236*85mm
AN-SL-X-80W	80W	140W	57AH	970*236*85mm
AN-SL-X-100W	100W	160W	63AH	970*236*85mm
AN-SL-X-120W	120W	180W	72AH	970*236*85mm
AN-SL-X-150W	150W	220W	90AH	1000*236*85mm
AN-SL-X-200W	200W	260W	66AH	1000*236*85mm



Web: [anern.com](http://anern.com) | Email: [g-ad@anern.com](mailto:g-ad@anern.com) | WhatsApp : +86 18211310218



## AN-SLA

Integrated Solar Street Light

Spec.	Power	Solar Panel	Li-ion battery	Size
AN-SLA-30W	30W	50W	24AH	755*370*175mm
AN-SLA-40W	40W	65W	28AH	895*370*175mm
AN-SLA-50W	50W	70W	36AH	1125*370*175mm
AN-SLA-60W	60W	80W	42AH	1125*370*175mm
AN-SLA-80W	80W	100W	57AH	1540*370*335mm
AN-SLA-100W	100W	130W	63AH	1860*370*335mm
AN-SLA-120W	120W	140W	72AH	1860*370*335mm



Web: [anern.com](http://anern.com) | Email: [g-ad@anern.com](mailto:g-ad@anern.com) | WhatsApp : +86 18211310218



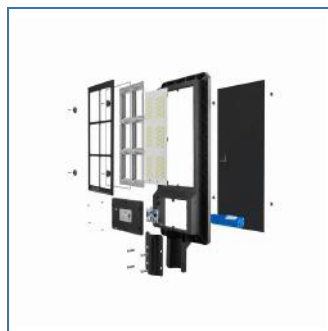
## AN-ISG02

Integrated Round Solar Garden Light

Spec.	Power	Solar Panel	Li-ion battery	Size
AN-ISG02-20W	20W	30W	15AH	570*570*230mm
AN-ISG02-30W	30W	40W	30AH	660*660*240mm
AN-ISG02-50W	50W	50W	40AH	760*760*250mm
AN-ISG02-D-20W	20W	25W	18AH	400*400*160mm
AN-ISG02-D-30W	30w	25W	36AH	520*520*248mm
AN-ISG02-D-50W	50w	25W	60AH	740*740*248mm



Web: [anern.com](http://anern.com) | Email: [g-ad@anern.com](mailto:g-ad@anern.com) | WhatsApp : +86 18211310218



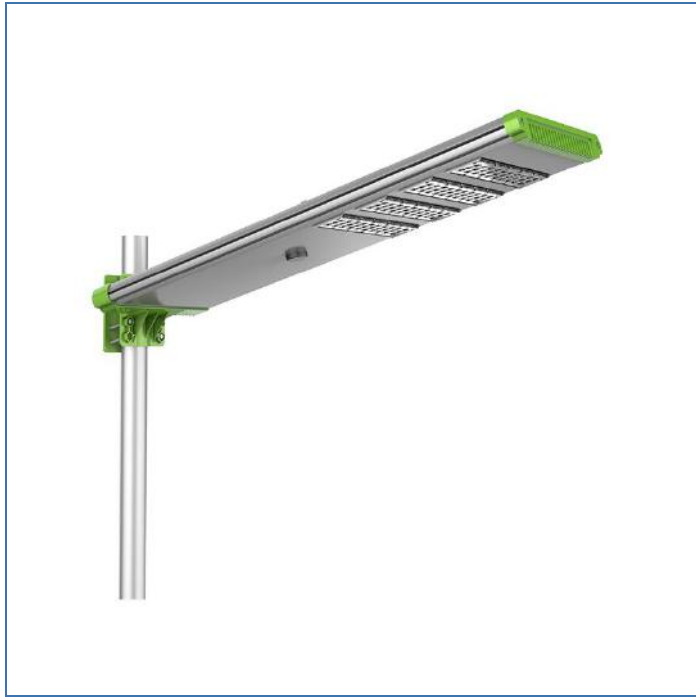
## AN-ISGL05

Integrated Solar Garden Light

Spec.	Power	Solar Panel	Li-ion battery	Size
AN-ISGL05-60W	60W	12W	10000MAH	410*200*70mm
AN-ISGL05-120W	120W	18W	15000MAH	650*265*70mm
AN-ISGL05-180W	180W	24W	20000MAH	775*290*70mm



Web:anern.com | Email:g-ad@anern.com | WhatsApp : +86 18211310218



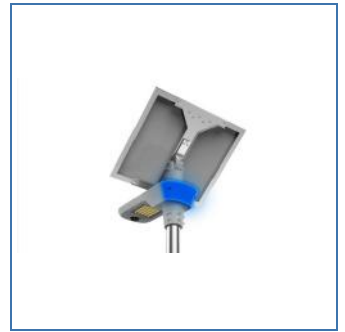
## AN-ISSL-M2

Integrated Solar Street Light

Spec.	Power	Solar Panel	Li-ion battery	Size
AN-ISSL-M2-20W	20W	12W	6AH	505*227*164mm
AN-ISSL-M2-40W	40W	25W	12AH	808*227*164mm
AN-ISSL-M2-50W	50W	35W	21AH	1098*227*164mm
AN-ISSL-M2-80W	80W	60W	30AH	1553*420.5*224.5 mm
AN-ISSL-M2-100W	100W	80W	40AH	1933*420.5*224.5mm



Web: [anern.com](http://anern.com) | Email: [g-ad@anern.com](mailto:g-ad@anern.com) | WhatsApp : +86 18211310218



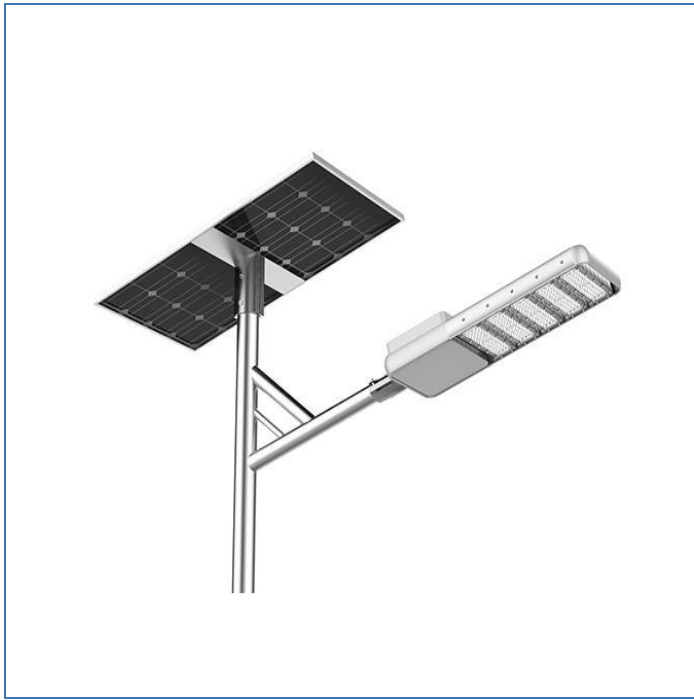
## AN-SL

Spec.	Power	Solar Panel	Li-ion battery	Size
AN-SL-3000	30W	40W	18AH	620*240*240mm
AN-SL-4000	40W	50W	24AH	620*240*240mm
AN-SL-5000	50W	65W	28AH	620*240*240mm
AN-SL-6000	60W	80W	36AH	620*240*240mm
AN-SL-8000	80W	100W	42AH	620*240*240mm
AN-SL-10000	100W	170W	75AH	620*240*240mm
AN-SL-12000	120W	200W	86AH	620*240*240mm



Web:anern.com | Email:g-ad@anern.com | WhatsApp : +86 18211310218



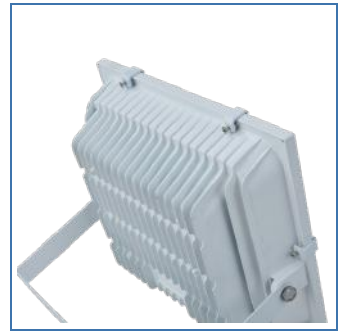


## AN-SSL-I

Spec.	Power	Solar Panel	Li-ion battery	Size
AN-SSL-I-30W	30w	50W	22AH	600*250*120mm
AN-SSL-I-40W	40w	80W	30AH	600*250*120mm
AN-SSL-I-60W	60w	100W	40AH	600*250*120mm
AN-SSL-I-80W	80w	150W	53AH	600*250*120mm
AN-SSL-I-100W	100W	200W	65AH	600*250*120mm
AN-SSL-I2-30W	30w	50W	18AH	500*210*85mm
AN-SSL-I2-50W	50w	80W	25AH	500*210*85mm
AN-SSL-I2-80W	80w	100W	35AH	600*250*85mm
AN-SSL-I2-100W	100w	150w	50AH	600*250*85mm



Web: [anern.com](http://anern.com) | Email: [g-ad@anern.com](mailto:g-ad@anern.com) | WhatsApp : +86 18211310218



## AN-SFL

### Solar Flood Light

Spec.	Power	Solar Panel	Li-ion battery	Size
AN-SFL-25W	25W	6W	5AH	180*160*60mm
AN-SFL-40W	40W	10W	10AH	228*202*72mm
AN-SFL-60W	60W	15W	15AH	245*225*82mm
AN-SFL-100W	100W	18W	20AH	290*260*95mm
AN-SFL-150W	150W	25W	15AH	290*260*95mm
AN-SFL-200W	200W	40W	25AH	365*295*95mm
AN-SFL-D-25W	25w	6W	5AH	180*160*60mm
AN-SFL-D-40W	40w	10W	10AH	228*202*72mm
AN-SFL-D-60W	60w	15W	15AH	245*225*82mm
AN-SFL-D-100W	100w	18W	20AH	290*260*95mm



Web:anern.com | Email:g-ad@anern.com | WhatsApp: +86 18211310218



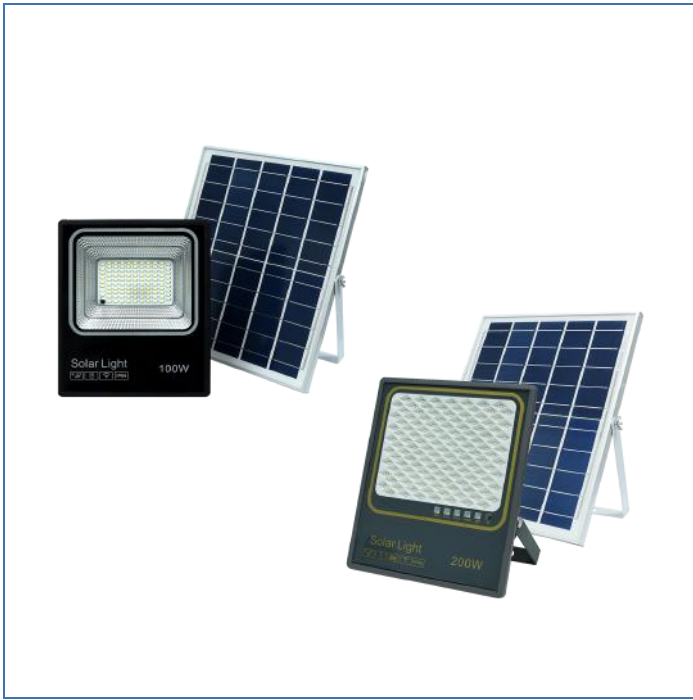
## AN-SFL02

### Solar Wall Light

Spec.	Power	Solar Panel	Li-ion battery	Size
AN-SFL02-50W	50w	6W	3.2V 5000MA	210*175*18mm
AN-SFL02-100W	100w	15W	3.2V 15000MA	260*200*50mm
AN-SFL02-200W	200w	20W	3.2V 20000MA	310*255*50mm
AN-SFL02-300W	300w	30W	3.2V 30000MA	310*255*50mm
AN-SFL02-400W	400w	40W	3.2V 40000MA	370*310*65mm
AN-SFL02-500W	500w	50W	3.2V 50000MA	370*310*65mm



Web:anern.com | Email:g-ad@anern.com | WhatsApp : +86 18211310218



## AN-SFL-PD/PF

### Solar Flood light

Item No.	Solar Panel	LifePO4 battery	Chip Number	Color Temperature	Solar Panel Size	Lamp Size
AN-SFL-PJ-50W	6w	3.2V 5.5AH	5730/46PCS	6000-6500K	270*180*17mm	205*170*42mm
AN-SFL-PJ-100W	12W	3.2V 11AH	5730/107PCS	6000-6500K	350*290*17mm	260*215*42mm
AN-SFL-PJ-200W	18W	3.2V 16.5AH	5730/166PCS	6000-6500K	400*350*17mm	290*240*42mm
AN-SFL-PJ-300W	30W	3.2V 27.5AH	5730/358PCS	6000-6500K	600*350*17mm	350*290*43mm
AN-SFL-PF-50W	6W	3.2V 5.5AH	2835/49PCS	6000-6500K	270*180*17mm	205*170*42mm
AN-SFL-PF-100W	12W	3.2V 11AH	2835/97PCS	6000-6500K	350*290*17mm	260*215*42mm
AN-SFL-PF-200W	18W	3.2V 16.5AH	2835/127PCS	6000-6500K	400*350*17mm	290*240*42mm
AN-SFL-PF-300W	30W	3.2V 27.5AH	2835/199PCS	6000-6500K	600*350*17mm	350*290*43mm



Web:anern.com | Email:g-ad@anern.com | WhatsApp : +86 18211310218



## **Aern Industry Group Limited**

Add : F1, R&D Building, No.3 Guangpuxi Avenue, Science City, Guangzhou, China

Web: [aern.com](http://aern.com)

Email: [g-ad@aern.com](mailto:g-ad@aern.com)

WhatsApp: +86 18211310218